



Hand Tensioner Pump

The Hand Tensioner Pump is designed for those applications where there is no power available. These lightweight hand tensioner pumps are safe, low maintenance and durable which meet all of the requirements of onsite bolt tensioning challenges. They are easy to operate and are supplied complete with a calibrated pressure gauge and quick release outlet coupling. The lightweight and portable design makes this the ideal pump for when you're on the move.

Features and Benefits

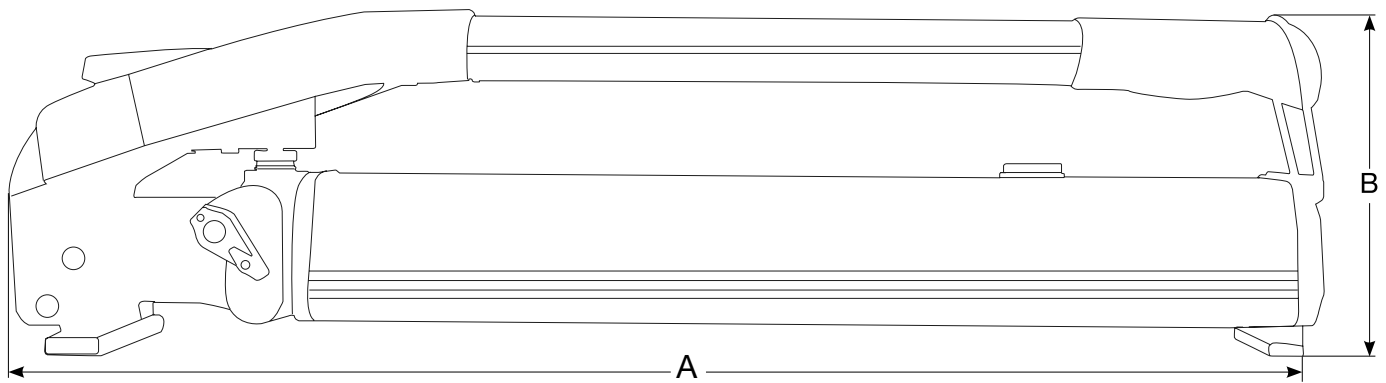
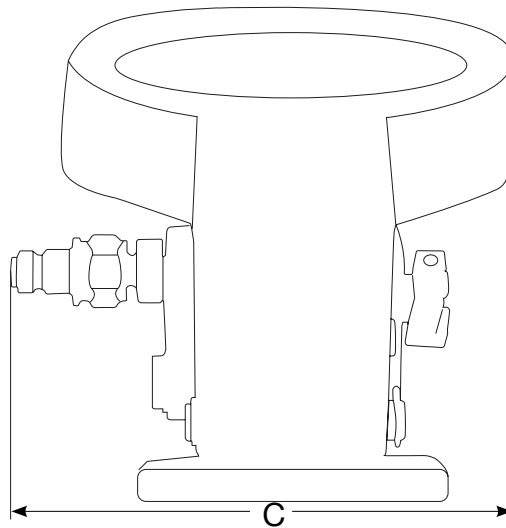
- ✓ Needle release valve - offers full pressure relief control
- ✓ Made in the UK
- ✓ Aluminium tank
- ✓ Low weight & maintenance friendly
- ✓ Easy to refill oil and with optional overflow valve
- ✓ Integral pressure gauge



Technical Information

Metric

	Max Working Pressue	Oil Capacity	Pump Stroke Low Pressure	Pump Stroke High Pressure	Pumping Effort	A	B	C	Weight
Model	BAR	CM ³	CM ³	CM ³	N	mm	mm	mm	Kg
1600 BAR	150	1000	20	1	370	620	165	162	187



WORLD CLASS MANUFACTURERS OF CONTROLLED BOLTING EQUIPMENT



HTL Worldwide Ltd
 45 Colbourne Avenue,
 Nelson Park Industrial Estate,
 Cramlington, Northumberland,
 NE23 1WD

Telephone: +44 (0) 1670 700 018

Email: sales@htl-worldwide.com

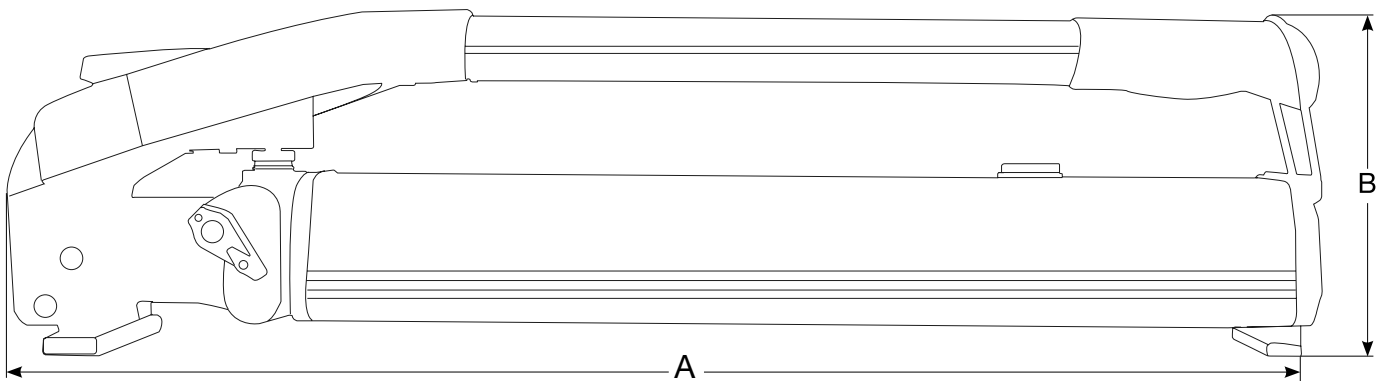
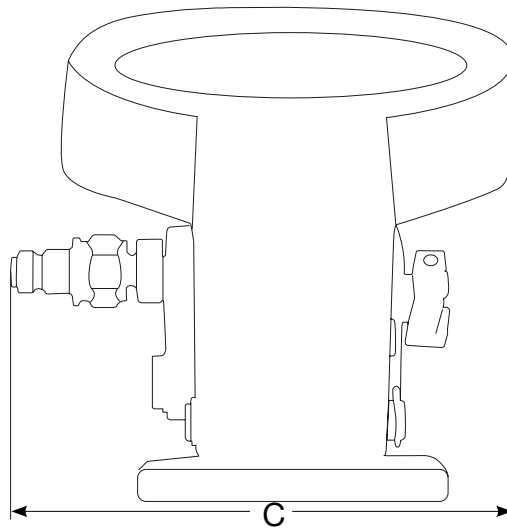
Visit: www.htl-worldwide.com



Technical Information

Imperial

	Max Working Pressure	Oil Capacity	Pump Stroke Low Pressure	Pump Stroke High Pressure	Pumping Effort	A	B	C	Weight
Model	BAR	CM ³	CM ³	CM ³	N	Inch	Inch	Inch	Lbs
1600 BAR	21750	61	1.2	0.1	370	24 ¹³ / ₃₂	6 ¹ / ₂	6 ³ / ₈	23.5



WORLD CLASS MANUFACTURERS OF CONTROLLED BOLTING EQUIPMENT



HTL Worldwide Ltd
 45 Colbourne Avenue,
 Nelson Park Industrial Estate,
 Cramlington, Northumberland,
 NE23 1WD

Telephone: +44 (0) 1670 700 018

Email: sales@htl-worldwide.com

Visit: www.htl-worldwide.com

